

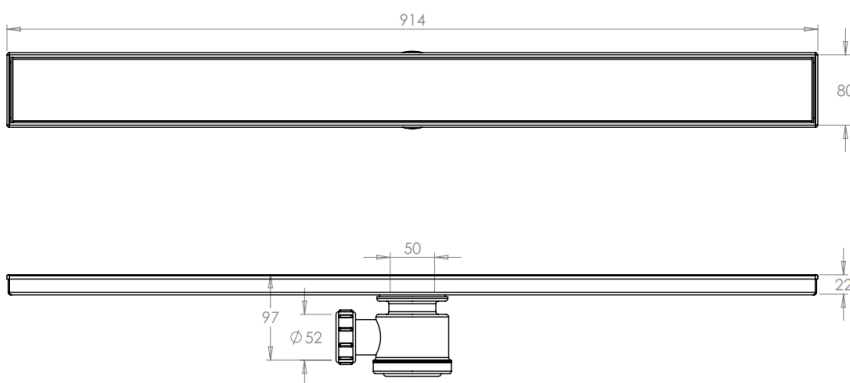
KENT KLSD (T) – Linear Shower Drain (Tile)

The Kent Stainless Linear Shower Drain for Tile floors has been specifically designed for barefoot walk in residential shower areas, washrooms and wetrooms. The drain is made from **grade 316 stainless steel** and comes with 1 ½ BSP trapped side outlet as standard. The tiled shower channel is available in 914mm lengths and this model comes with a recessed tray for tile infill.

These Linear Shower Drain channels are ex-stock in our Irish factory and offer excellent value for money. Due to their lightweight construction they can be air freighted with an 8-10 day delivery period.

Features

- Grade 316 Stainless steel
- Easy to clean
- 1 ½" BSP PVC shower trap included
- Mill finish as standard
- Ex stock; spare parts also ex stock



Product Code	Height	Length	Width	Outlet	Flow Rate*
KLSD(T)	22mm	914mm	80mm	1.5" BSP	0.35 l/s

Specify Kent Linear Shower Drain Tiled KLSD(T). Grade 316 stainless steel complete with 1 ½" BSP PVC shower trap and recessed tray.



BS EN1253 Class K3