

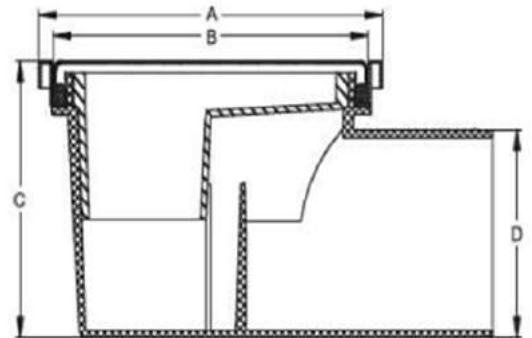
KENT KBD 100/150-Balcony Drain

The Kent Stainless 2 part balcony drain has been developed specifically for the Middle East residential market. It is ideal for use in apartment complexes, villa compounds, ablution and public washroom areas. The balcony drains are manufactured in grade 304 stainless steel with a satin finish as standard and available with gratings as shown Below. The balcony drains have a 50mm diameter outlet as standard

Features

- Grade 304 Stainless steel
- 50mm diameter outlet
- Satin finish as standard
- Ex stock; spare parts also ex stock

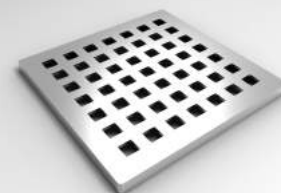
A- 100mm
B- 96mm
C- 65mm
D- 50mm



Round Slotted



Square Perforated



Square Slotted



Product Code	Height	Width	Depth	Outlet	Flow Rate*
KBD100/50	65mm	100mm	100mm	50mm	0.71l/s

Specify Kent Balcony Drain KBD100/50. 100x100mm, 2 part Balcony drain. Grade 304 stainless steel with a satin polish finish.



BS EN1253 Class K3